

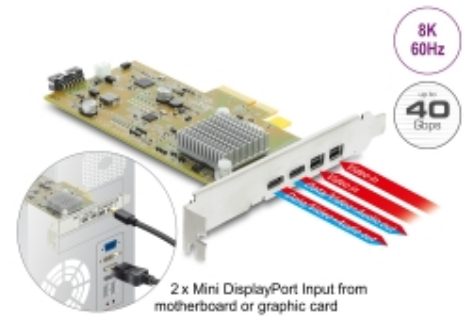
PCI Express x4 Card to 2 x external USB Type-C™ 40 Gbps (DP Alt Mode) female – Low Profile Form Factor

Description

This PCI Express card by Delock expands the PC by **two external USB-C™ ports**. Different USB devices such as USB flash memory, card reader, external enclosure etc. can be connected. The card also supports Thunderbolt™ 3 devices on the USB-C™ ports.

Video output at USB-C™ port

By using the included cables, the Mini DisplayPort connectors of the PCI Express card can be connected to the DisplayPort outputs of a graphics card on the motherboard. Therefore the **USB-C™ ports will be DP Alt Mode capable**. Monitors can be connected to this ports in order to transmit video and audio signals. The maximum resolution of the output depends on the input signal.



Item no. 91372

EAN: 4043619913725

Country of origin: China

Package: Retail Box

Technical details

- Connectors:
external:
2 x USB 40 Gbps USB Type-C™ female (DP Alt Mode capable)
2 x Mini DisplayPort female (for DP Alt Mode function)
internal:
1 x PCI Express x4, V4.0
- Chipset: Asmedia ASM4242
- Data transfer rate up to 40 Gbps
- Resolution up to 7680 x 4320 @ 60 Hz (depending on the system and the connected hardware)
- Power supply via PCI Express interface
- Electrical power per port: max. 15 watt (5 V / 3 A)
- Supports eXtensible Host Controller Interface (xHCI) specification 1.2
- Over current protection at the USB ports
- Compatible with Thunderbolt™ 3 devices

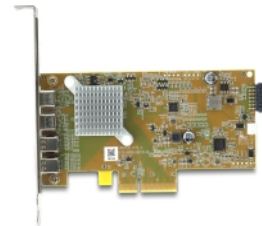
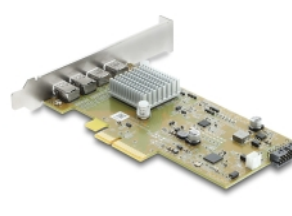
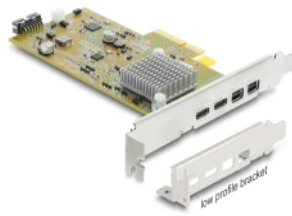
System requirements

- Windows 11
- PC with one free PCI Express x4 / x8 / x16 / x32 slot
- Motherboard with USB4 add-on card support
- Graphics card with DisplayPort output (to support DP Alt Mode)

Package content

- PCI Express card
- 2 x DisplayPort cable, length ca. 35 cm
- Low profile bracket
- User manual

Images



General

Form factor:	Low Profile
Specification:	Thunderbolt™ 3
Supported operating system:	Windows 11

Interface

External:	2 x USB 40 Gbps USB Type-C™ female (DP Alt Mode capable) 2 x Mini DisplayPort female (for DP Alt Mode function)
Internal:	1 x PCI Express x4, V4.0

Technical characteristics

Electrical power per port:	max. 15 watt (5 V / 3 A)
Chipset:	Asmedia ASM4242
Data transfer rate:	40 Gbps
Maximum screen resolution:	7680 x 4320 @ 60 Hz

Manufacturer information

Street	Beeskowdamm 13/15
Postal code	14167
City	Berlin
Country	Deutschland
E-Mail	info@delock.de
Website	www.delock.de

