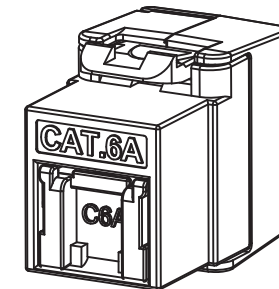
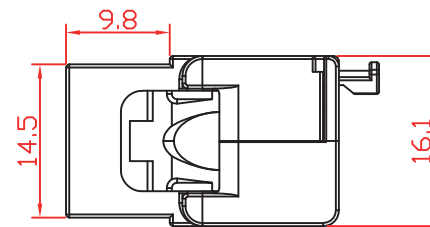
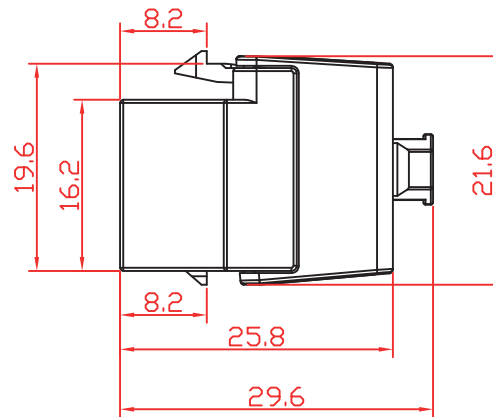


Ø9.5



**NOTES:**

**ELECTRICAL:**


- 1.VOLTAGE RATING:125 VAC RMS
- 2.CURRENT RATING:1.5AMP
- 3.CONTACT RESISTANCE:100MILLIOHMS MAX
- 4.INSULATION RESISTANCE:1000 MEGOHMS MIN @500 VDC
- 5.DIELECTRIC STRENGTH:750 VAC RMS 60Hz,1MIN

**ENVIRONMENTAL:**

- 1.STORAGE:-40°TO +85°
- 2.OPERATION:0°TO 70°

**MECHANICAL:**

- 1.THE SHELL MATERIAL:ZINC ALLOY
- 2.HOUSING MATERIAL:PC
- 3.PCB MATERIAL:FR-4 T=1.2mm
- 4.INSERT MATERIAL:PC
- 5.CONTACT MATERIAL:PHOSPHOR BRONZE  
STAMP PIN 0.35mm
- 6.IDC CONTACT MATERIAL:PHOSPHOR BRONZE  
T=0.50mm WITH TIN PLATING
- 7.RJ45 JACK LIFE:750 FTIMES MIN
- 8.IDC LIFE:200 TIMES MIN
- 9.WIRE:AWG 22-26

Date	2025 / 09 / 30	 we move the world	
Unit	mm		
Projection	drawing	Title:	Keystone Module RJ45 jack to LSA Cat.6A shielded tool-free with dust protection cap
Rev	A	EAN:	4043619907069
File No.	88518		