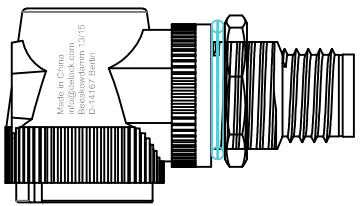
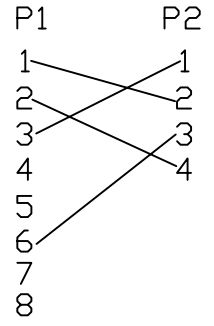
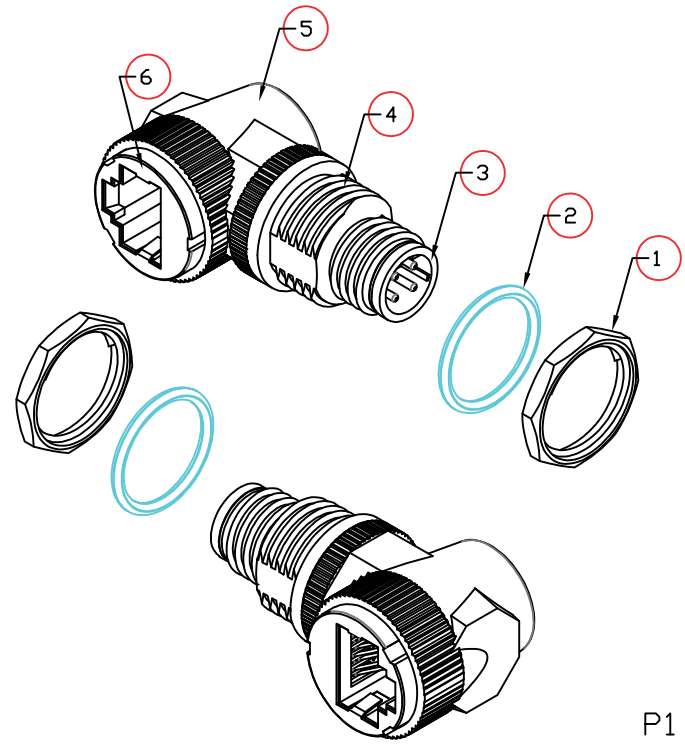
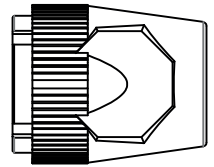


P1



P2



⑥	RJ45	1pcs
⑤	PE+45P PVC	1pcs
④	M12	1pcs
③	D CORD 4P 1.0	1pcs
②	17*13*2	1pcs
①	M16	1pcs

Date	2025 / 11 / 24
Unit	mm
Projection	drawing
Rev	A
File No.	88391

DELOCK we move the world	
Item no.	90664
Title:	M12 Adapter D-coded 4 pin male to RJ45 jack for built-in round 90° angled
EAN:	4043619906642