

Overview

Bandwidth: 250MHz
 OD: 6.0mm
 Conductor: 26AWG
 Approvals: RoHS
 Connector: 3U" gold plated RJ45 connector

Physical Characteristics

- Cable Type – CAT6 F/UTP
- Connector Type(s) – RJ45
- Wiring Scheme – T568B
- Temperature Rating
 - Installation: 0°C~50°C
 - Operation: -20°C~60°C
- Voltage Rating – 30V

Conductor (Qty. 4 twisted pair)

- Conductor Type – 26AWG(7/0.16±0.008mm), Stranded BC
- Insulation – HDPE
- Diameter – 0.93±0.05mm
- Pair Identification:
 - Pair1=Orange, Orange/White
 - Pair2=Blue, Blue/White
 - Pair3=Green, Green/White
 - Pair4=Brown, Brown/White

Connector Type (Qty. 1)

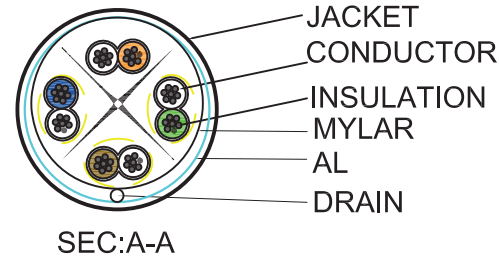
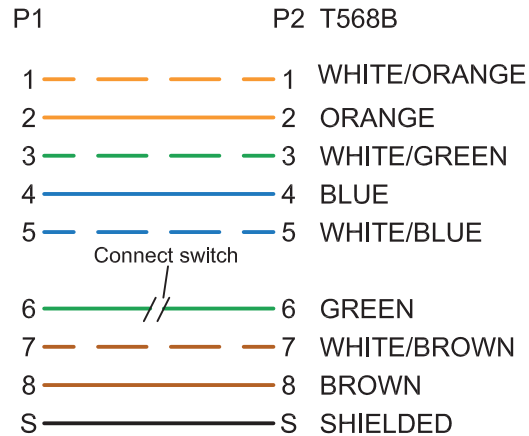
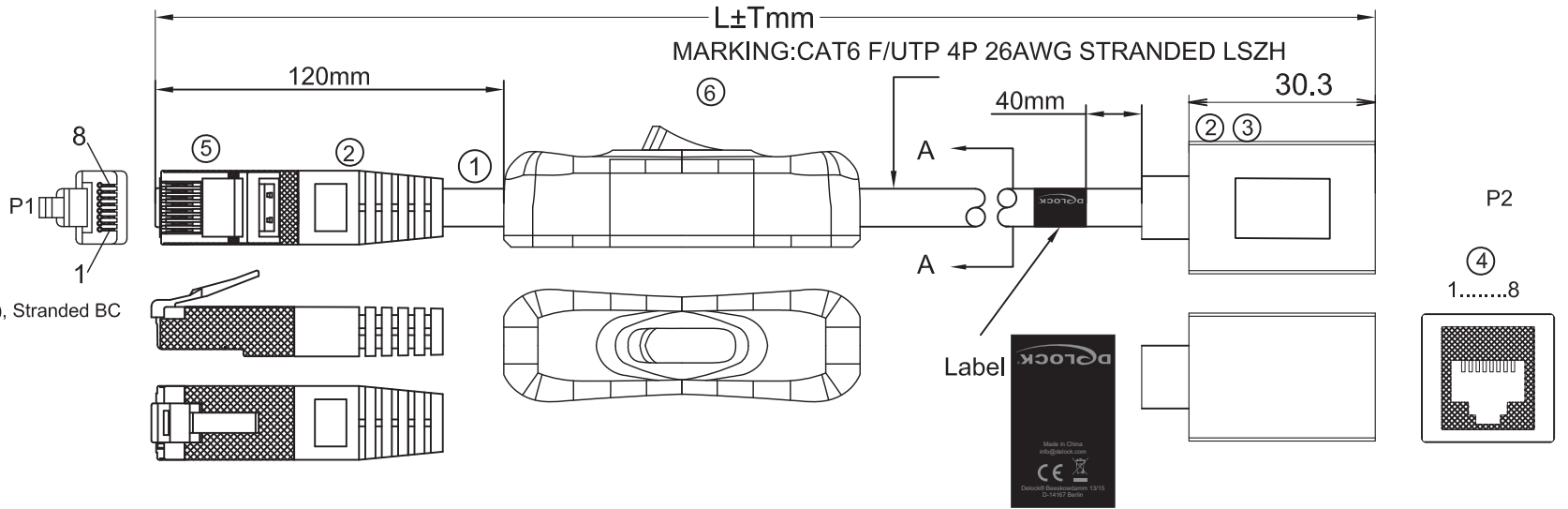
- Connector Type – Shielded 8P8C (RJ45)
- Gender – Male
- Connector Material – PC
- Contact Material – Copper Alloy, Gold Plating – 3µm
- Hood Material – Molded PVC

Overall Cable

- Jacket – LSZH
- Minimum Average Thickness – 0.60mm
- Outer Diameter – 6.0 ± 0.20mm

Electrical Characteristics

- Conductor DC Resistance – 15.2Ω/100m (maximum)
- Impedance – 100Ω
- Capacitance – 560pf/100m
- Propagation Delay – 545ns/100m (maximum)
- Delay Skew – 45ns/100m (maximum)
- Pass Fluke DSX 8000 Channel Test



TOLERANCE:			
LINEAT:	X. =±1	ANGULAR:	X.° =±1°
	.X =±0.5		.X° =±0°30'
	.XX=±0.05		
FILLET:	R2=RAD.2mm	CHAMFER:	C0.5=CHAM0.5mm
	R5=RAD.5mm		C1=CHAM1mm
	XR=MAX RAD.		

6	SWITCH
5	RJ45 PLUG: 8P8C 3U" GOLD PLATED TWO-PIECE PLUG NICKEL PLATED SHIELDED.
4	RJ45 FEMALE CONNECTOR: 8P8C 3U" GOLD PLATED FEMALE.
3	INNER MODEL:LD-PE TRANSPARENT MOLDED BOOT.
2	MOLDED: PVC MOLDED BOOT .
1	CABLE: CAT6 F/UTP 4P*26AWG(7/0.16±0.008mmBC)+MYLAR+DRAIN+AL OD=Ø6.0±0.15MM LSZH JACKET.
SPECIFICATION	

Date	2025 / 07 / 25
Unit	mm
Projection	drawing
Rev	A
File No.	88417

DELCOCK we move the world	
Item no.	81564
Title:	RJ45 cable, plug to socket, with switch, Cat.6, FTP, 1 m
EAN:	4043619815647