

**Overview**

Bandwidth: 250MHz  
 OD: 6.0mm  
 Conductor: 26AWG  
 Approvals: RoHS  
 Connector: 50U" gold plated RJ45 connector

**Physical Characteristics**

- Cable Type – CAT6 F/UTP
- Connector Type(s) – RJ45
- Wiring Scheme – T568B
- Temperature Rating
  - Installation: 0°C~50°C
  - Operation: -20°C~60°C
- Voltage Rating – 30V

**Conductor (Qty. 4 twisted pair)**

- Conductor Type – 26AWG(7/0.16±0.008mm), Stranded BC
- Insulation – HDPE
- Diameter – 0.93±0.05mm
- Pair Identification:
  - Pair1=Orange, Orange/White
  - Pair2=Blue, Blue/White
  - Pair3=Green, Green/White
  - Pair4=Brown, Brown/White

**Connector Type (Qty. 2)**

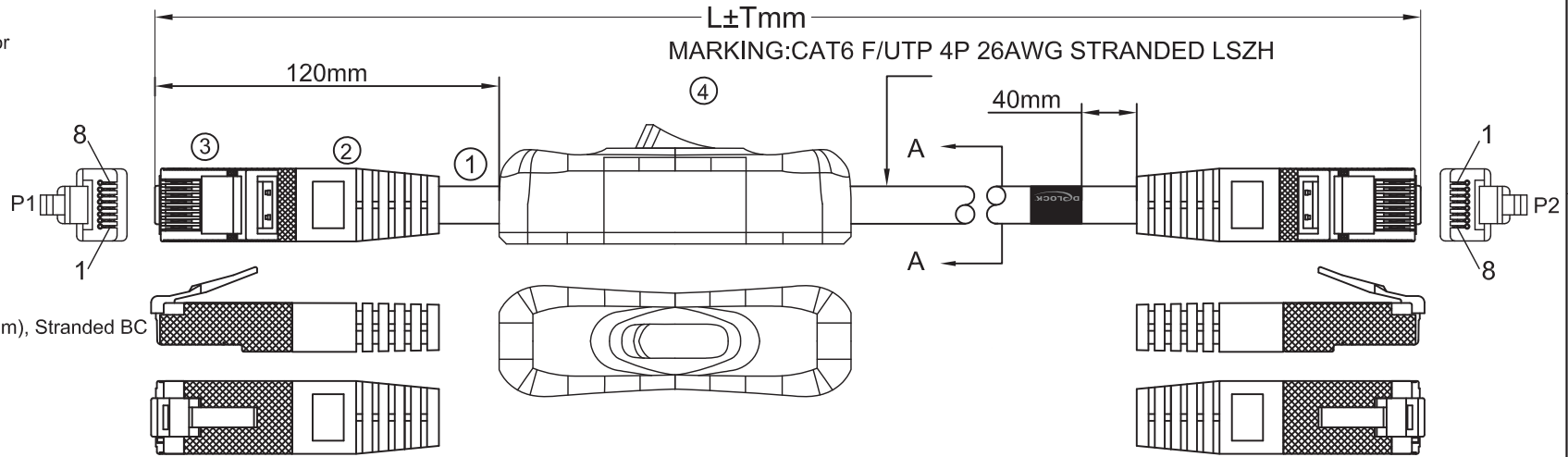
- Connector Type – Shielded 8P8C (RJ45)
- Gender – Male
- Connector Material – PC
- Contact Material – Copper Alloy, Gold Plating – 50µm
- Hood Material – Molded PVC

**Overall Cable**

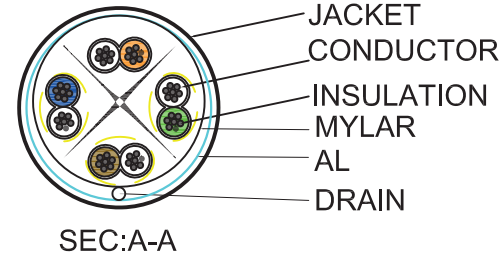
- Jacket – LSZH
- Minimum Average Thickness – 0.60mm
- Outer Diameter – 6.0 ± 0.20mm

**Electrical Characteristics**

- Conductor DC Resistance – 15.2Ω/100m (maximum)
- Impedance – 100Ω
- Capacitance – 5600pf/100m
- Propagation Delay – 545ns/100m (maximum)
- Delay Skew – 45ns/100m (maximum)
- Pass Fluke DSX 8000 Channel Test



P1	P2 T568B
1	1 WHITE/ORANGE
2	2 ORANGE
3	3 WHITE/GREEN
4	4 BLUE
5	5 WHITE/BLUE
6	6 GREEN
7	7 WHITE/BROWN
8	8 BROWN
S	S SHIELDED



TOLERANCE:	
LINEAT: X. =±1 .X =±0.5 .XX=±0.05	ANGULAR: X.° =±1° .X° =±0°30'
FILLET: R2=RAD.2mm R5=RAD.5mm XR=MAX RAD.	CHAMFER: C0.5=CHAM0.5mm C1=CHAM1mm

NO.	SPECIFICATION
4	SWITCH
3	RJ45 PLUG: 8P8C 50U" GOLD PLATED TWO-PIECE PLUG NICKEL PLATED SHIELDED.
2	MOLDED: PVC MOLDED BOOT .
1	CABLE: CAT6 F/UTP 4P*26AWG(7/0.16±0.008mmBC)+MYLAR+DRAIN+AL OD=Ø6.0±0.15MM LSZH JACKET.

Date	2025 / 07 / 25
Unit	mm
Projection	drawing
Rev	A
File No.	88417

<b>DELLOCK®</b> we move the world	
Item no.	<b>81562</b>
Title:	RJ45 plug to RJ45 plug cable with switch, Cat.6 FTP, 1 m
EAN:	4043619815623