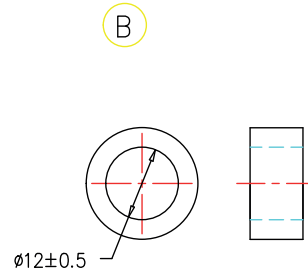
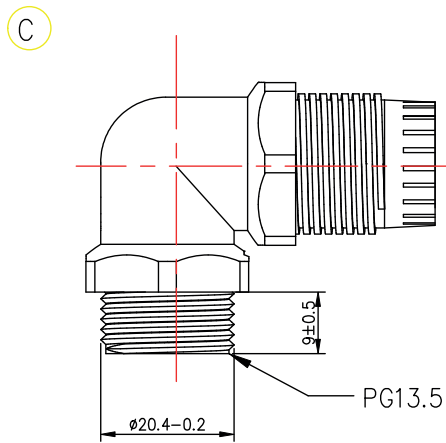


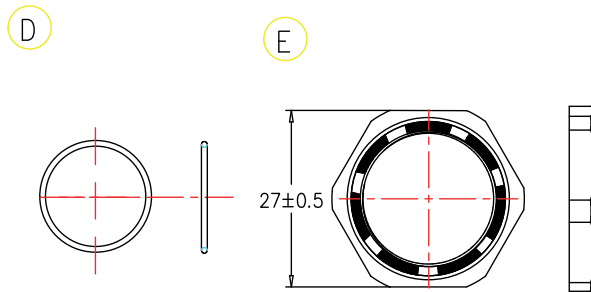
SealingNut



Seal

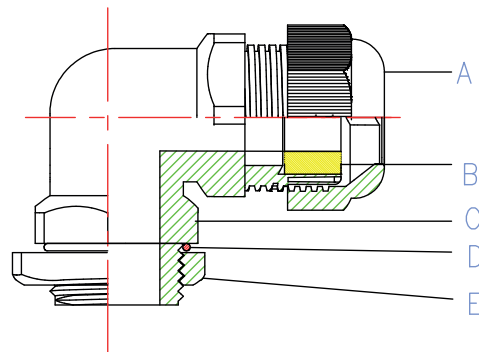


Body




Washer

Lock Nut



Date	2025 / 01 / 22
Unit	mm
Projection	drawing
Rev	A
File No.	88388

 we move the world	
Item no.	60298
Title:	Cable Gland 90° angled PG13.5 black
EAN:	4043619602988